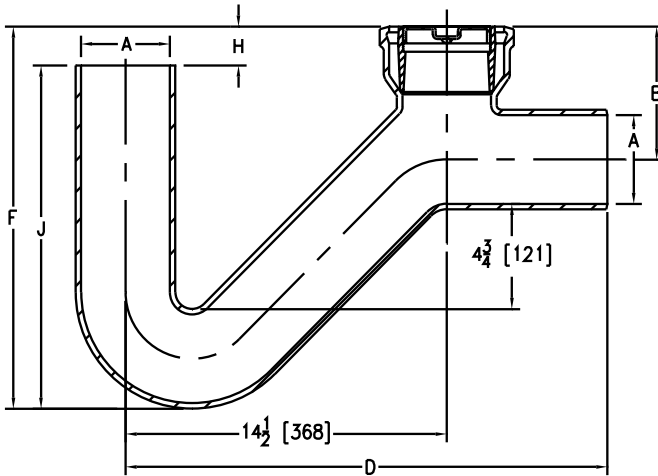


## Z1012 DEEP SEAL TRAP WITH FLOOR CLEANOUT



### ENGINEERING SPECIFICATION

Zurn Z1012 deep seal trap features Dura-Coated cast iron body for use with bottom outlet drain, cast iron floor cleanout, and plug for caulking into top hub cleanout opening.



A Pipe Size/ Outlet Type	Dimensions in inches [mm]					Approximate Weight lb [kg]
	B	D	F	H	J	
<b>No-Hub (NH)</b>						
2NH	4-3/4 [121]	16-1/2 [419]	12-3/4 [324]	1/4 [6]	12-1/2 [318]	43 [20]
3NH	5-1/2 [140]	21-1/2 [546]	15 [381]	1-1/4 [32]	12-3/4 [324]	45 [20]
4NH	6 [152]	21-3/4 [552]	17 [432]	1-3/4 [44]	15-1/2 [394]	47 [21]

PREFIXES	DESCRIPTION	A PIPE SIZE	LIST PRICE
Z1012*	D.C.C.I. Body	2"	1,051.00
		3"	2,574.00
		4"	1,531.00

CONNECTION DESIGNATION (SPECIFY PIPE SIZE IN INCHES AND TYPE OF CONNECTION)			
CONNECTION TYPE	PIPE SIZE/OUTLET TYPE	ADD	
NH	No-Hub	2NH, 3NH, 4NH	N/C
SUFFIXES			
ADD			
-FC	Adjustable Floor Cleanout (See Z1406)		-
-G	Galvanized Cast Iron Body		527.00
DEDUCT			
-LC	Less Cleanout and Plug	PIPE SIZE 2", 3" 4"	150.00 206.00

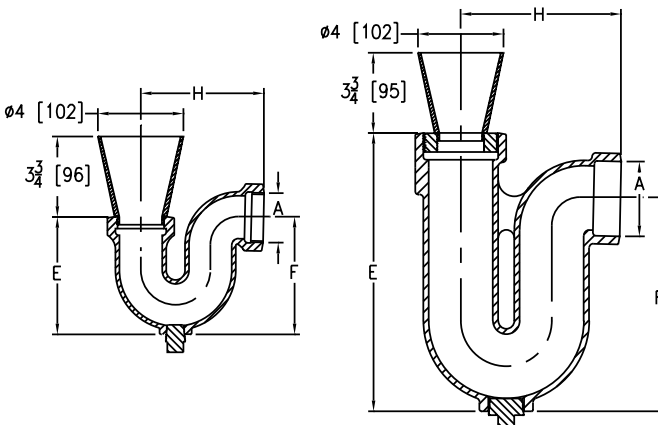
SEE LEGACY ADDENDUM ON PAGE 369 FOR MORE INFORMATION

## Z1019 FUNNEL DRAIN WITH "P" TRAP



### ENGINEERING SPECIFICATION

Zurn Z1019 Dura-Coated cast iron combination funnel and trap drain comes complete with bronze bottom cleanout plug.



A Pipe Size/ Outlet Type	Dimensions in inches [mm]			Approximate Weight lb [kg]
	E	F	H	
<b>Threaded (IP)</b>				
2IP	4-1/4 [108]	5-1/2 [140]	5-3/4 [146]	10 [5]
3IP	13 [330]	10 [254]	7-1/2 [191]	19 [9]

PREFIXES	DESCRIPTION	A PIPE SIZE	LIST PRICE
Z1019*	D.C.C.I. Body and Top	2"	729.00
		3"	850.00
ZAB1019	Bronze Body with Polished Bronze Top	2"	1,298.00
		3"	1,415.00
ZABN1019	Bronze Body with Polished Nickel Bronze Top	2"	1,372.00
		3"	1,489.00

CONNECTION DESIGNATION (SPECIFY PIPE SIZE IN INCHES AND TYPE OF CONNECTION)			
CONNECTION TYPE	PIPE SIZE/OUTLET TYPE	ADD	
IP	Threaded	2IP, 3IP	N/C
SUFFIXES			
ADD			
-AR	Acid Resisting Epoxy Coated Finish		285.00
-DS	Dome Strainer		64.00
-F6	6" High x 6" Diameter Funnel	Z	109.00
		ZAB, ZABN	165.00
-G	Galvanized Cast Iron Body		308.00
BEST SELLER			
Z1019-2IP			729.00

\*Regularly furnished unless otherwise specified.

Items designated as Best Sellers are most specified and are generally in stock for shipment.

⌚ This symbol denotes a product that is engineered to reduce installation and rework time.

For additional product information, please visit [www.zurn.com](http://www.zurn.com)